

## Getting Started With the AC-EZ

---

We encourage you to view our AC-EZ getting started video tutorial at [www.LifeApe.com](http://www.LifeApe.com).

The AC-EZ provides worry free animation for AC-powered devices by eliminating the hassle and safety concerns with cutting and stripping AC cords. With the AC-EZ, control your AC powered device using low-voltage outputs from any LifeApe animatronics controller.

No more safety hazards!

## Wiring Your Animatronics Controller to the AC-EZ

---

**NOTE:** The AC-EZ requires +12V power and must use the same power supply as your LifeApe animatronics controller.

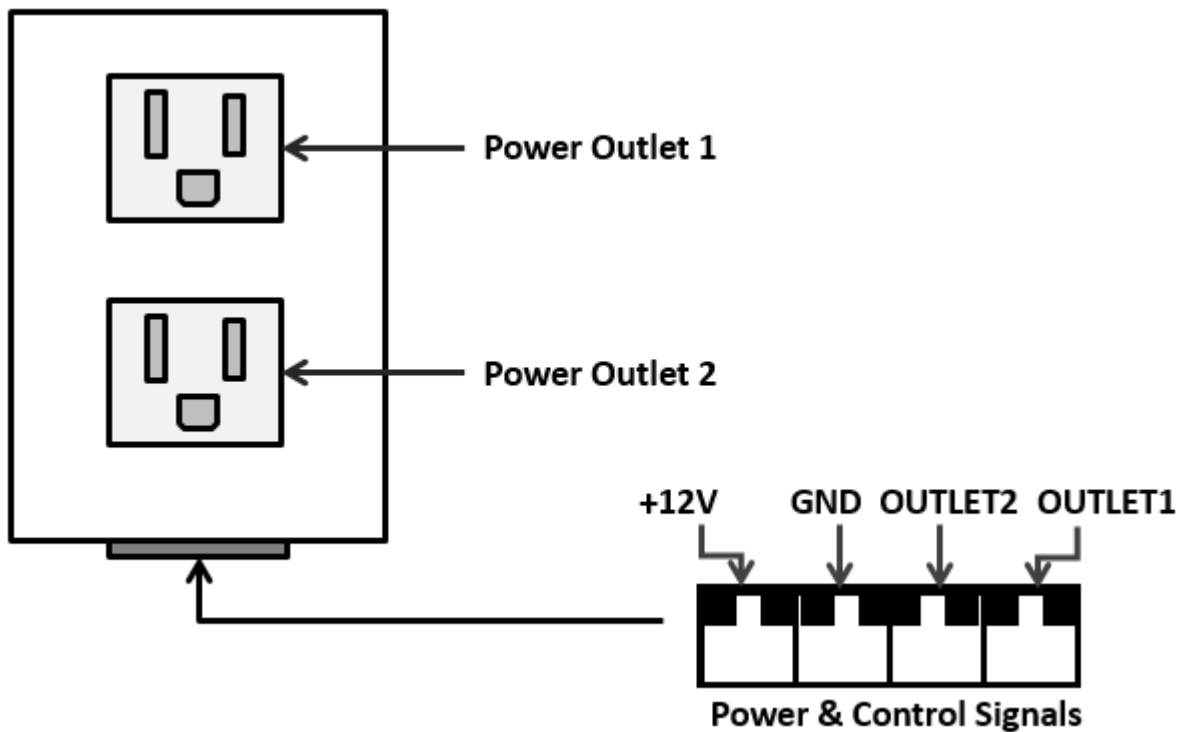
- 1) Connect the AC-EZ to any standard grounded 120V outlet as shown in figure 1.
- 2) Wire your +12V LifeApe animatronics controller power supply to the +12V and GND terminals on the AC-EZ as shown in figure 2.
- 3) Plug your AC-powered devices into the power outlets labeled "Power Outlet 1" and "Power Outlet 2" as shown in figure 2.
- 4) Wire any of the digital outputs from your LifeApe animatronics controller to the OUTLET1 and OUTLET2 control terminals to control your AC-powered device as shown in figure 2.

**NOTE:** Turning on the digital output from the LifeApe animatronics controller will turn on the device connected to the power outlet.

Figure 1: AC Main Power



Figure 2: Wiring to the AC-EZ



## AC-EZ Specifications

AC Power Supply	120 VAC (standard household AC power outlet)
Outputs	2 Outputs 8 Amps max current for each output
Input Power	+12 VDC